

HARDWARE

# SkyRise™ Gaming Machine

Rise Above

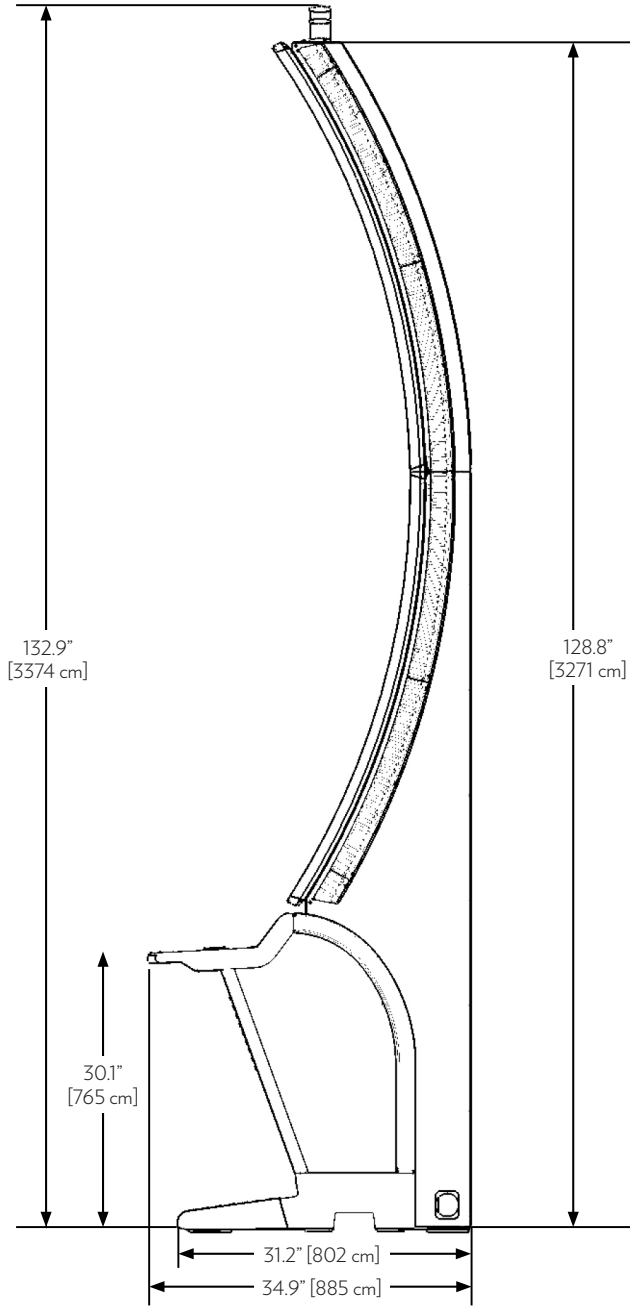
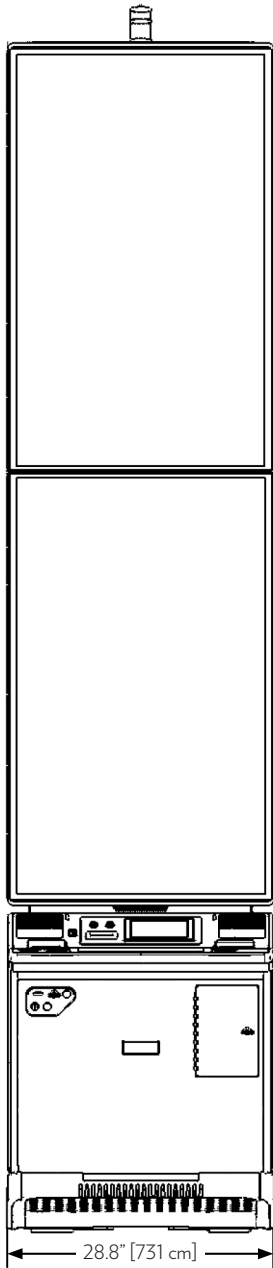


Put your games in the spotlight with the most elegant dual-portrait cabinet in the market. Featuring two 55-inch, 4k resolution curved-edge optimized LCD screens, this cabinet really draws a crowd. The Optimized Gamewall and POD configurations create an ideal footprint and a more appealing presentation, with zero lighting and display gap optimizations.

## Benefits and Features

- **Displays**
  - Dual 55" edge optimized curved LCDs
  - 15.6" dual bash Dynamic Player Panel w/ inductive charger
  - Dual feature POD and Video Wall enhanced cabinet lighting
- **Sleek Modern Design**
  - Edge optimized Zero lighting design blends seamlessly into video wall
  - Enhanced Standalone + POD attract lighting
  - Optimized footprint for maximum flexibility
- **Dedicated Roadmap**
  - All-new Premium game library

Visit [igt.com/cabinets](http://igt.com/cabinets) to learn more



### IGT SkyRise™ Gaming Machine

Weight - 560 lbs. (254 kg)

Projected footprint - subject to change

#### Power Consumption

120V/60Hz	4A (480 Watts)
240V/50Hz	2A (480 Watts)

Preliminary estimates only, subject to change.

